

CRZ S3C6410 Mango6410_R2

Hardware Specification

<http://www.mangoboard.com/>

<http://cafe.naver.com/embeddedcrazyboys>

Crazy Embedded Laboratory

Document History

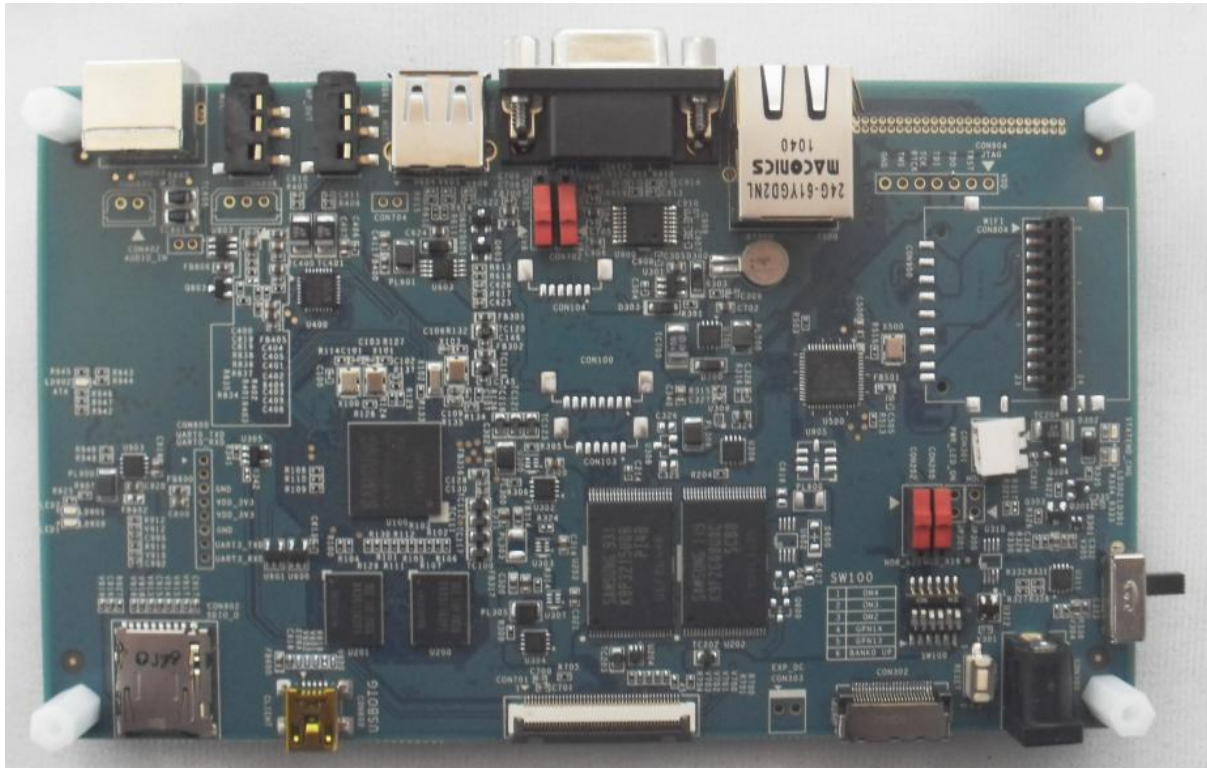
Revision	Date	Change note

목차

1.	S3C6410 Mango-R6410 Specification	4
1.1.	Mango64(S3C6410) Revision Spec and Block Diagram	4
1.1.1.	Hardware Spec	오류! 책갈피가 정의되어 있지 않습니다.
1.1.2.	Block Diagram	6
1.2.	Mango64(S3C6410) Revision 부품 배치	7
1.2.1.	부품면 TOP	7
1.2.2.	부품면 Bottom	8

1. S3C6410 Mango6410-R2 Specification

1.1. Hardware Specification

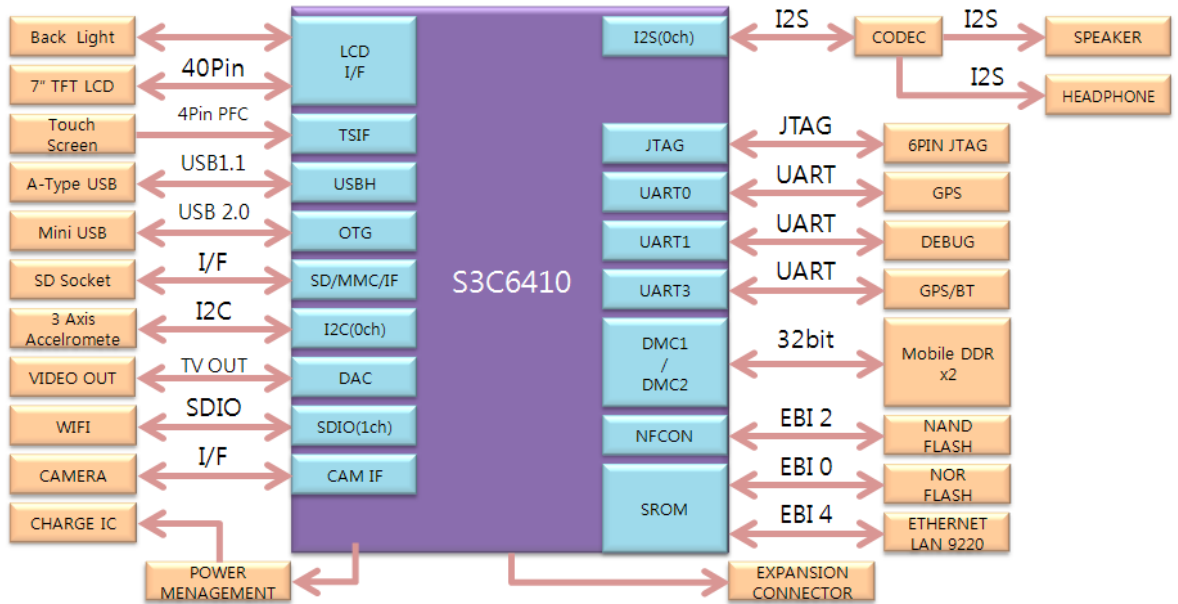


CPU	Samsung	667MHz Application Processor
	S3C6410X ARM1176JZF-S 533	
Memory	Mobile DDR	128Mbytes
	SLC NAND Flash	256Mbytes
	NOR Flash	4Mbytes
Display	7" WVGA(800x480) Color TFT	with Touch Screen Interface
	LCD 40Pin CONNECTOR	
Audio	Wolfson WM8960 Audio Codec	with 1W Stereo Speaker Amplifier
Ethernet	SMSC LAN9220	10/100Mbps
USB	USB 1.1 Host	
	USB 2.0 OTG	
SD	SD/MMC Port 0	WiFi Expansion Connector
	SD/MMC Port 1	Standard SD Connector
	SD/MMC Port 2	Expansion Connector
SPI	SPI Port 0	Expansion Connector

	SPI Port 1	Expansion Connector shared with SD/MMC Port 2
UART	UART Port 0	GPS or Expansion Connector
	UART Port 1	Standard DSUB9
	UART Port 2	Expansion Connector
	UART Port 3	Bluetooth or Expansion Connector
JTAG	Standard ARM	JTAG Interface
TV-out		
WiFi/Bluetooth	SDIO ,802.11b,g,n 지원, BT(UART2 and UART3)	
GPS		
Camera	support Interlaced and Non-Interlaced CCIR601/656 Standard Camera Interface	
ATA HDD		
Sensors	3-Axis Acceleration Sensor	
Keys	4 General Purpose Keys	
	1 Reset Keys	
	1 Tactile Power Keys	
	1 Slide Power Switch	
Indicators	2 Indicator LED controllable	GPIO ports
Expansion Connectors	IrDA, Camera, I2S, SPI0/SPI1, SDIO0/2, EBI, UART, LCD	

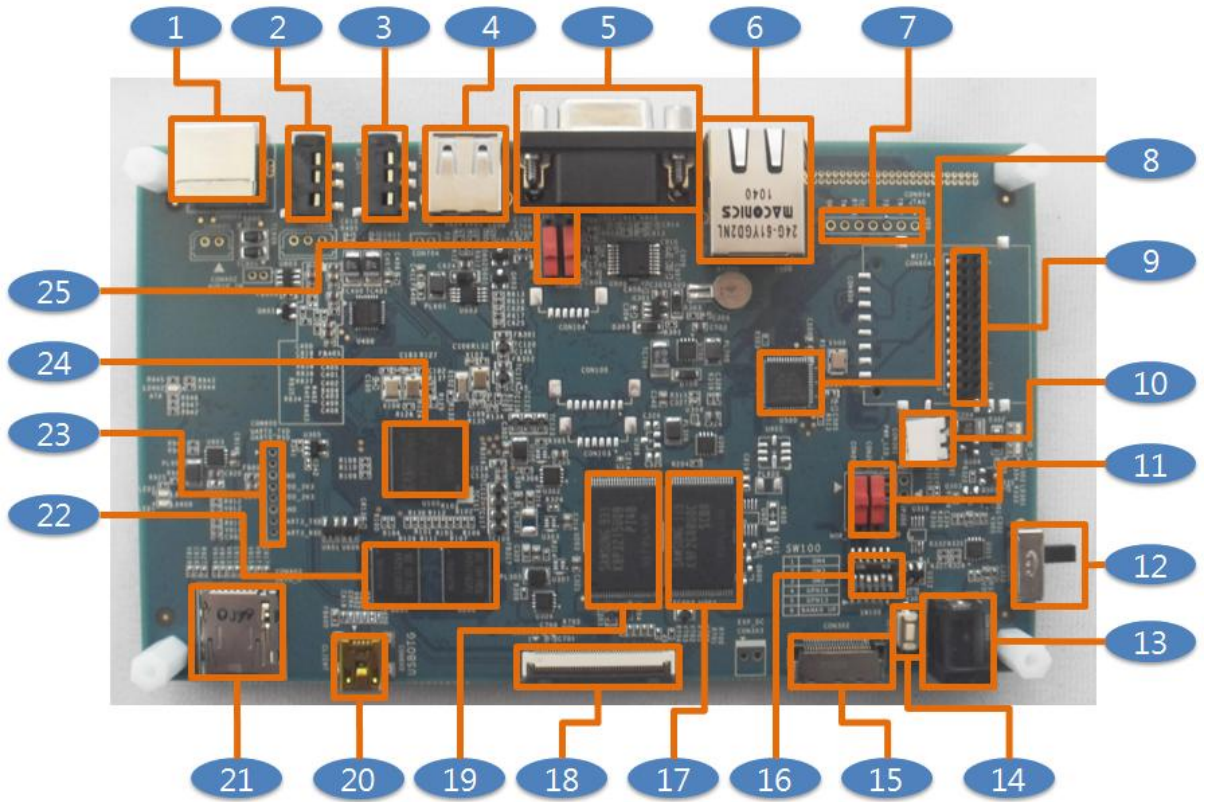
1.2. Block Diagram

[전체 구성도]



1.3. S3C6410 Mango6410 TOP Layout

1.3.1. 부품면 TOP



1	TV-OUT	2	MIC
3	HP_OUT	4	USB1.1
5	UART1	6	RJ45 Ethernet Jack
7	JTAG	8	LAN9220
9	Wifi CONNECTOR	10	BATT CONNECTOR
11	NOR BANK DIP Switches	12	Power Switches
13	Power Jack (5V DC)	14	Reset Key
15	TTA24-PIN CONNECTOR	16	Boot Option Switches
17	SLC NAND FLASH	18	LCD 40Pin CONNECTOR

19 NOR FLASH

20 USB OTG

21 T-FLASH SD CARD

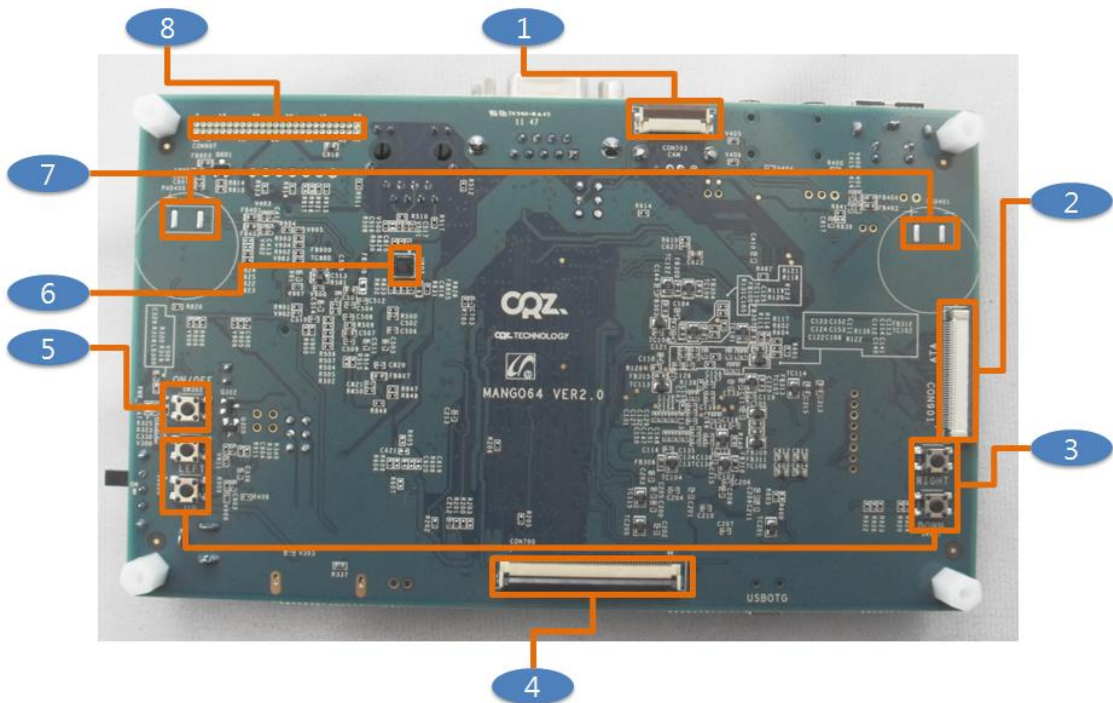
22 128MBytes mobile DDR SDRAM

23 GPS HOLE

24 CPU S3C6410

25 CAMERA INTERFACE POWER

1.3.2. 부품면 Bottom



1 CAMERA 20PIN FFC CONNECTOR

2 ATA CONNECTOR

3 4 X Button

4 LCD 60PIN EXPANSION FFC CONNECTOR

5 ON/OFF Button

6 3-Axis Acceleration Sensor

7 SPEAKER

8 SPI1/SD2 CONNECTOR
